

# 9500-3 Slider XOX

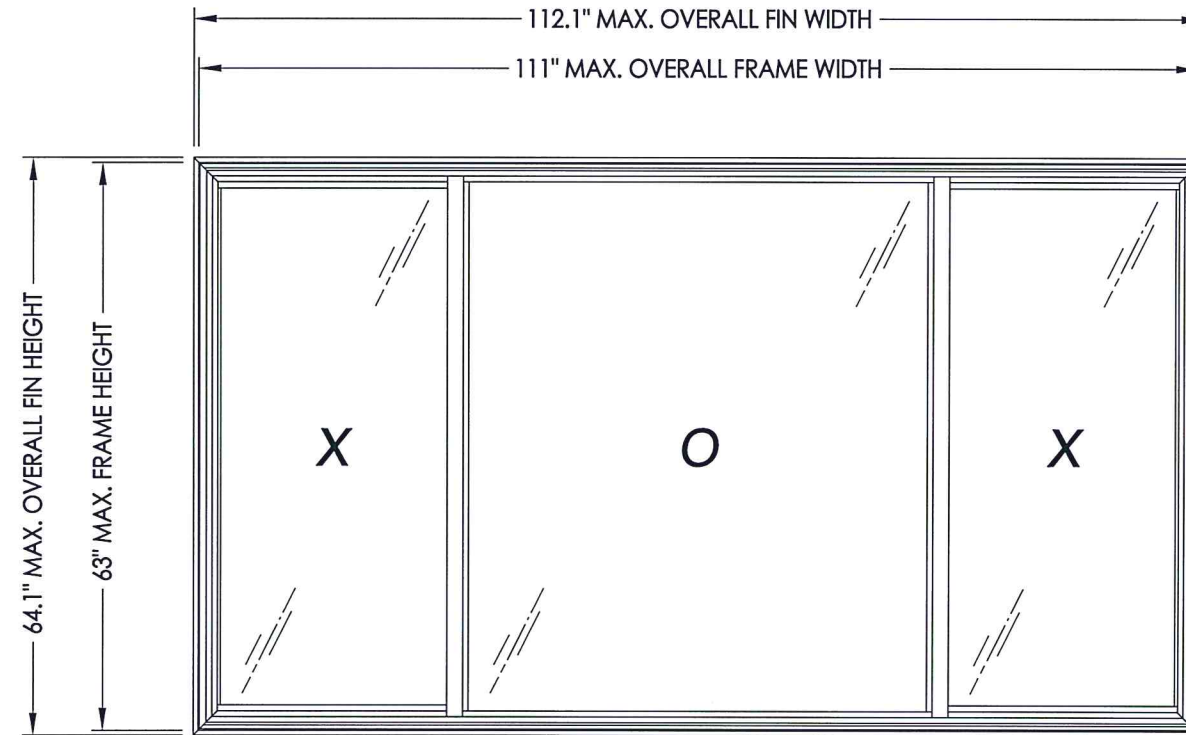
## IMPACT RATED w/ Flange

**GENERAL NOTES**

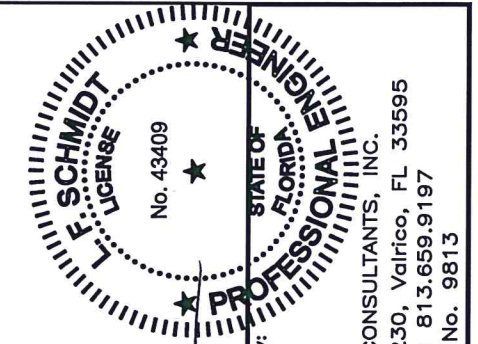
1. This product anchoring drawing has been evaluated and is in compliance with the 5th Edition (2014) Florida Building Code (FBC) excluding the "High Velocity Hurricane Zone" (HVHZ). See the Certification Agency Certificate for sizes, specifications & ratings.
2. Product anchors shall be as listed and spaced as shown on details. Anchor embedment to base material shall be beyond wall dressing or stucco.
3. When used in areas requiring wind borne debris protection, this product complies with Section 1609.1.2 of the FBC and does not require an impact resistant covering. This product meets missile level "D" and includes Wind Zone 4 as defined in ASTM E 1996 and Section 1609.1.2.2 of the FBC.
4. For 2x stud framing construction, anchoring of these units shall be the same as that shown for 2x buck masonry construction.
5. Site conditions that deviate from the details of this drawing require further engineering analysis by a licensed engineer or registered architect.

**TABLE OF CONTENTS**

SHEET#	DESCRIPTION
1	Typical elevations, design pressures & general notes
2	Vertical & horizontal cross sections
3	Buck & frame anchoring
4	Components
5	Bill of materials and glazing details



MAX. OVERALL FLANGE DIMENSION	MAX. OVERALL FRAME DIMENSION	MAX DAY LITE DIMENSION (OPERABLE)	MAX DAY LITE DIMENSION (FIXED)	GLASS TYPE	DESIGN PRESSURE (PSF)	
					POS.	NEG.
112.1" X 64.1"	111.0" X 63.0"	25.0" X 57.25"	51.0" X 58.5"	G1 (Fixed) G2 (Operable)	+50.0	-55.0

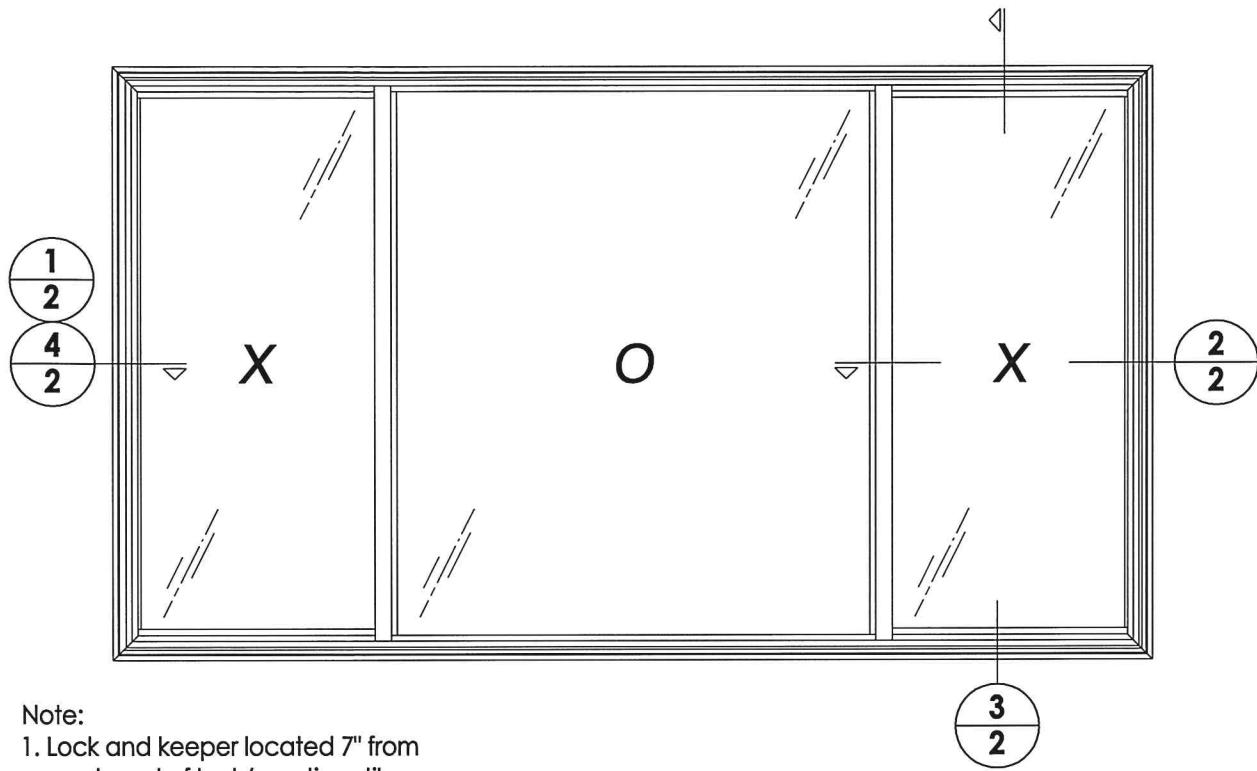


Documents Prepared By:  
Lyndon F. Schmidt  
P.E. No. 43409

*RW* BUILDING CONSULTANTS, INC.  
P.O. Box 230, Valrico, FL 33595  
Phone No.: 813.659.9197  
FBPE C.A. No. 9813

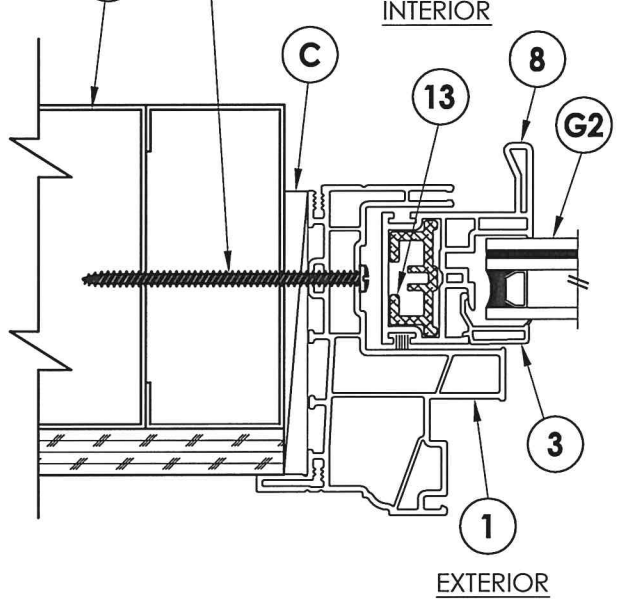
PRODUCT:	Doers
PART OR ASSEMBLY:	TYPICAL ELEVATION, DESIGN PRESSURES & GENERAL NOTES
DATE:	9/24/14
SCALE:	N.T.S.
DWG. BY:	JK
CHK. BY:	LFS
DRAWING NO.:	FL-16853.10
SHEET	1 OF 5

R:\Clients\Doers PERMANENT A - Florida Product Approvals\FL-16853 Windows - Horizontal Sliders\C - Drawings\FL-16853 (2014)\FL-16853.7-12.dwg, 2.10

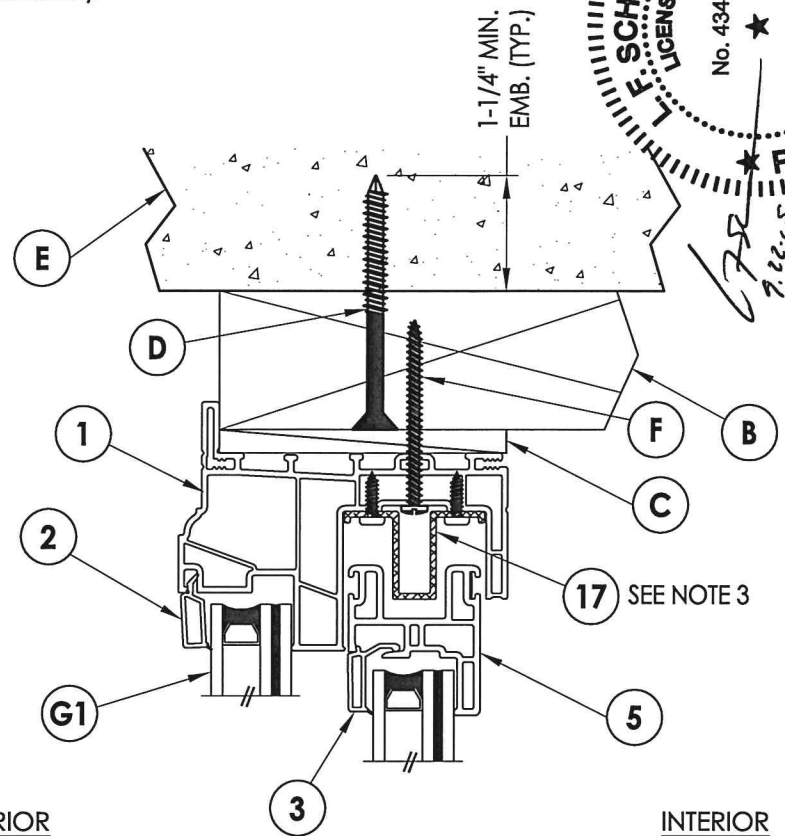


- Note:
1. Lock and keeper located 7" from each end of lock/meeting stile.
  2. Metal roller assembly located 2" from each end of the bottom rail.
  3. Anti-lift secured to head with (6) #6 x 1/2" PPH SMS.

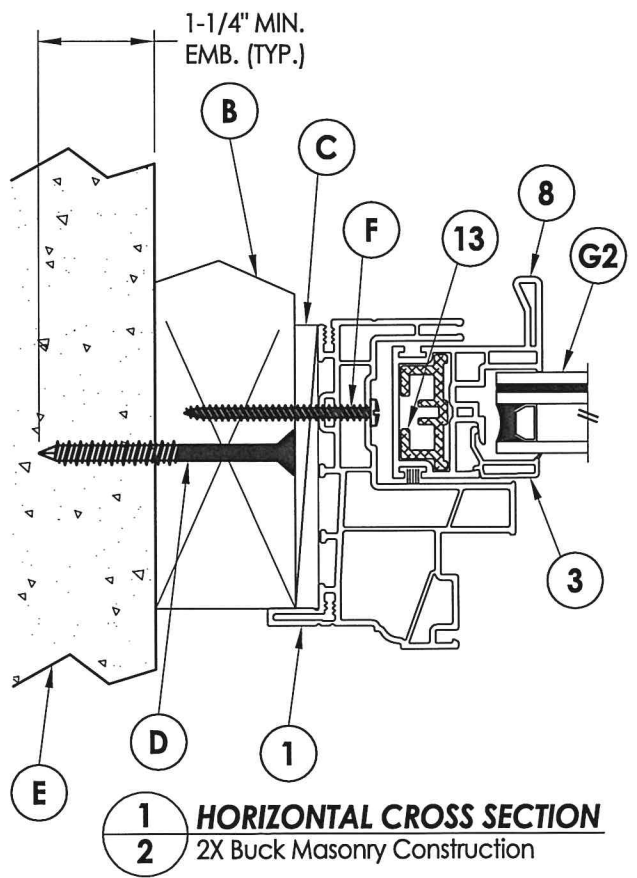
NOTE: Sheet Metal Screws must penetrate a min. of 3 threads through at least 2 sheets of metal (maintain a min. 3/8" edge distance).



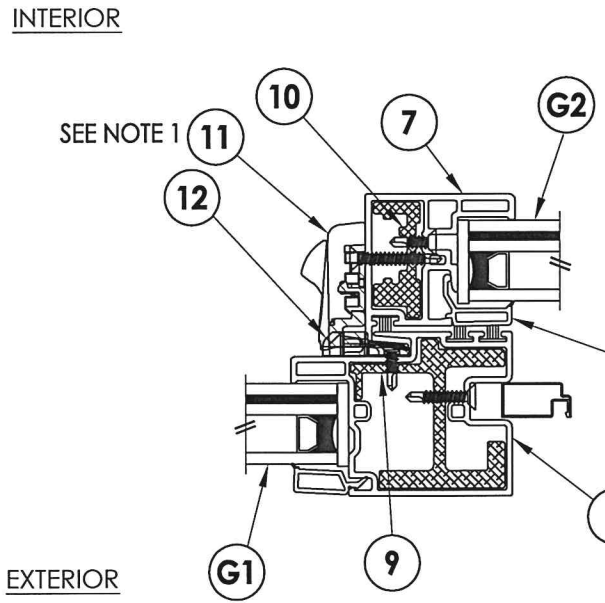
**4 HORIZONTAL CROSS SECTION**  
2 Metal Stud Construction



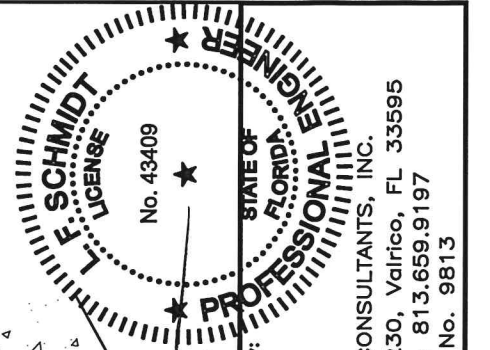
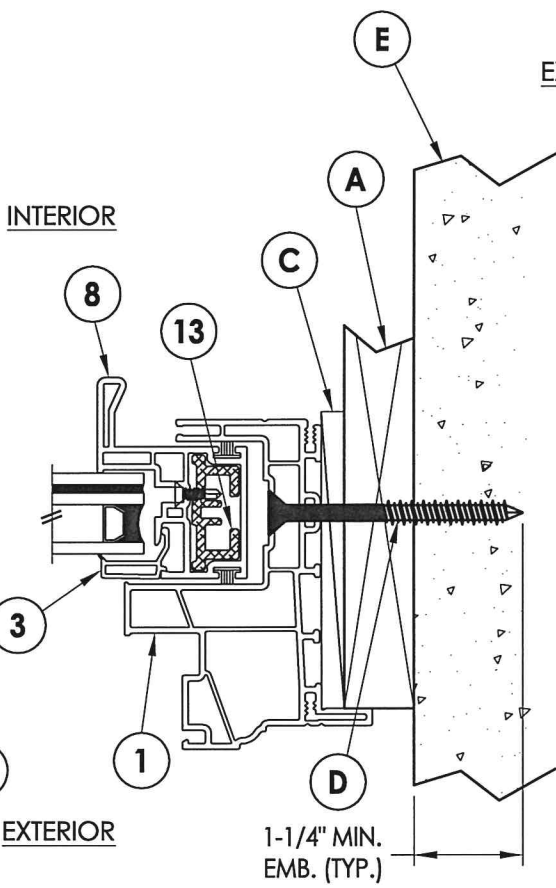
**3 VERTICAL CROSS SECTION**  
2 2X Buck Masonry Construction



**1 HORIZONTAL CROSS SECTION**  
2 2X Buck Masonry Construction



**2 HORIZONTAL CROSS SECTION**  
2 1X Buck Masonry Construction



Documents Prepared By:  
Lyndon F. Schmidt  
P.E. No. 43409

RW BUILDING CONSULTANTS, INC.  
P.O. Box 230, Vairico, FL 33595  
Phone No.: 813.659.9197  
FBPE C.A. No. 9813

PRODUCT: Doers

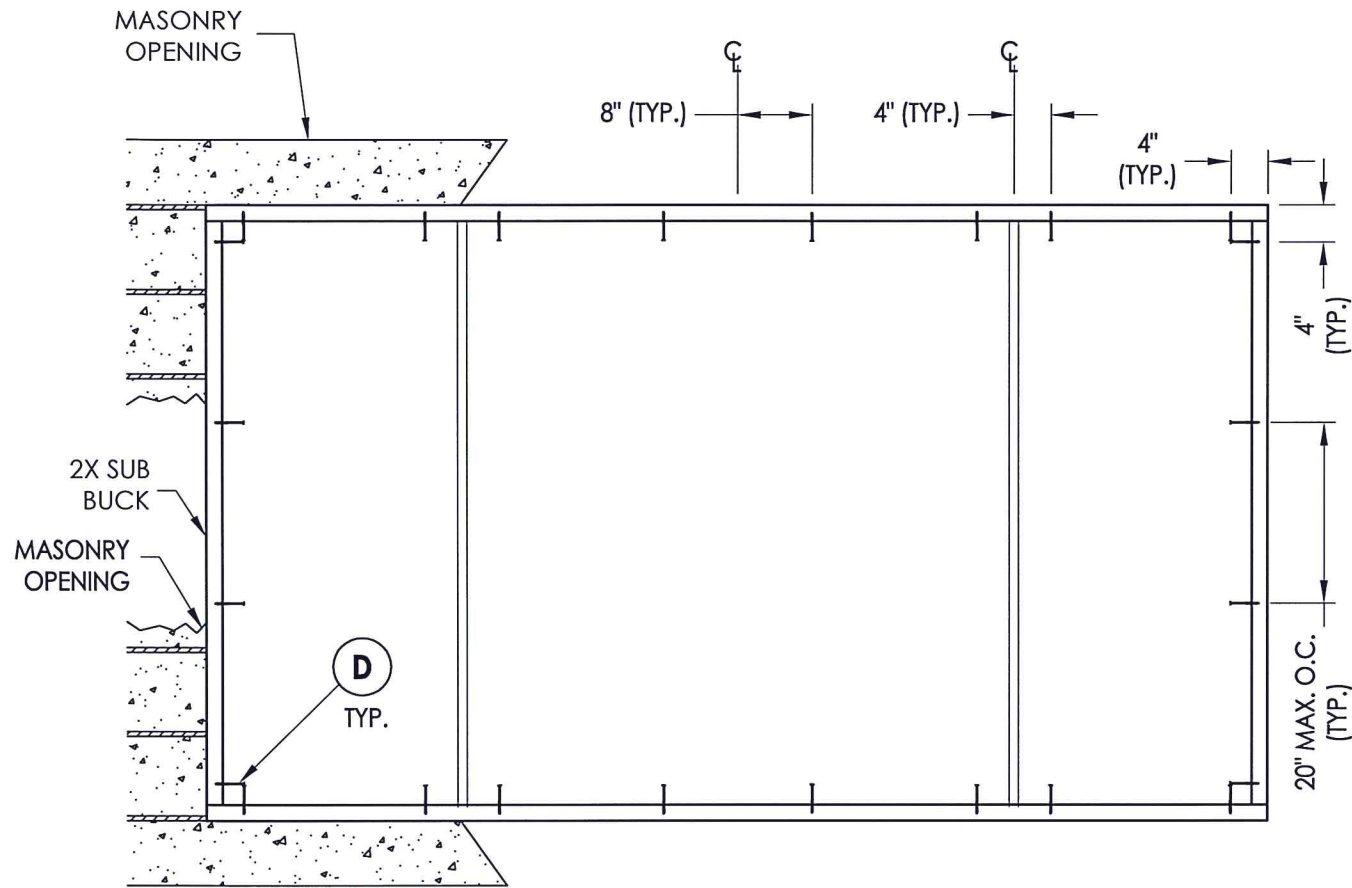
PART OR ASSEMBLY: VERTICAL & HORIZONTAL CROSS SECTIONS

NO.	DATE	REVISIONS
1	6/25/15	UPDATE TO 5TH ED. (2014) FBC

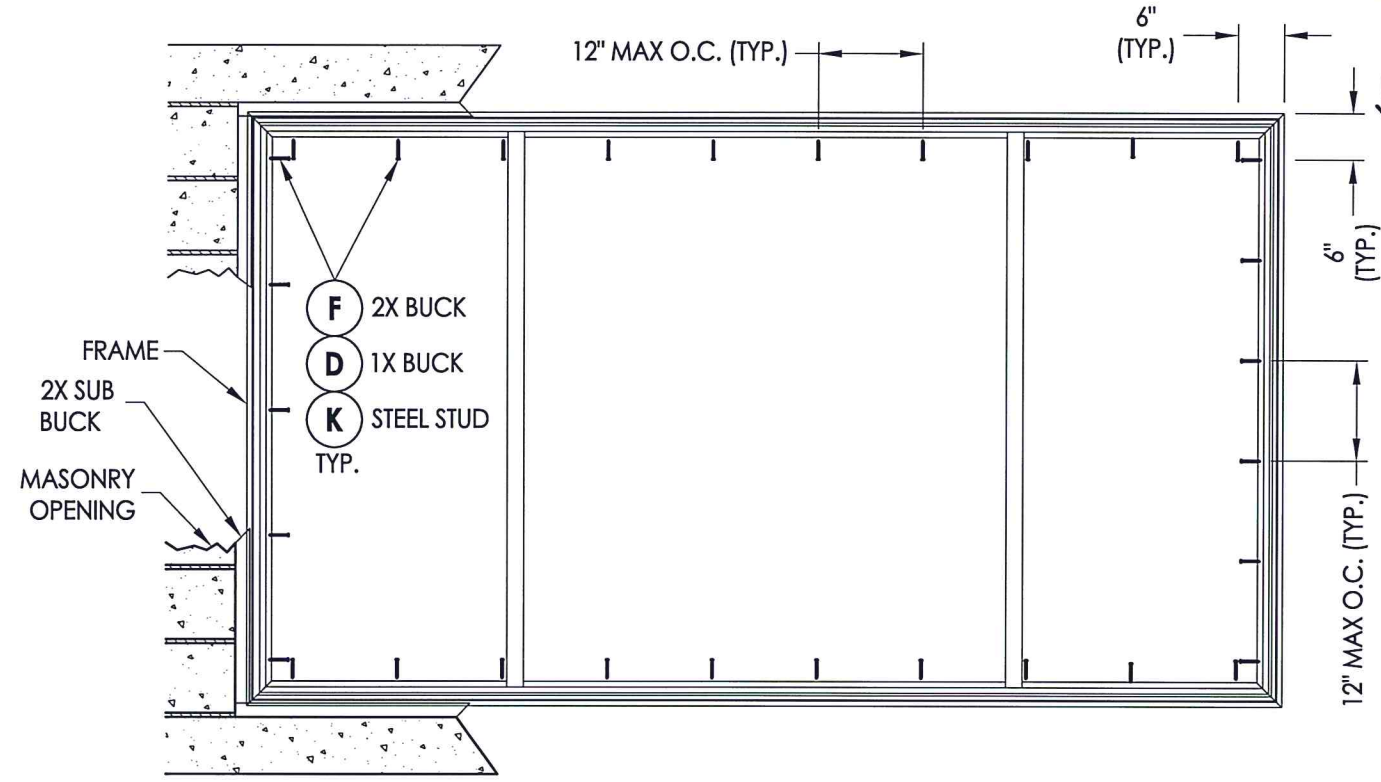
DATE: 9/24/14  
SCALE: N.T.S.  
DWG. BY: JK  
CHK. BY: LFS  
DRAWING NO.: FL-16853.10  
SHEET 2 OF 5



C:\Clients\Doers PERMANENT\Florida Product Approvals\FL-16853 Windows - Horizontal Sliders\C - Drawings\FL-16853 (2014)\FL-16853.7-12.dwg, 3.10



**BUCK ANCHORING**



**FRAME ANCHORING**

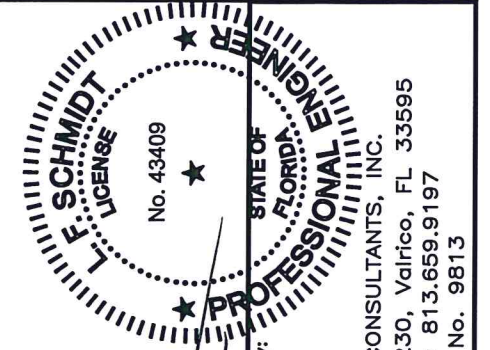
**CONCRETE ANCHOR NOTES:**

1. Concrete anchor locations at the corners may be adjusted to maintain the min. edge distance to mortar joints.
2. Concrete anchor locations noted as "MAX. ON CENTER" must be adjusted to maintain the min. edge distance to mortar joints, additional concrete anchors may be required to ensure the "MAX. ON CENTER" dimension are not exceeded.
3. Concrete anchor table:

ANCHOR TYPE	ANCHOR SIZE	MIN. EMBEDMENT	MIN. CLEARANCE TO MASONRY EDGE	MIN. CLEARANCE TO ADJACENT ANCHOR
ITW TAPCON®	1/4"	1-1/4"	2"	4"
ELCO ULTRACON®	1/4"	1-1/4"	1"	4"

**WOOD SCREW INSTALLATION NOTES:**

1. Maintain a minimum 5/8" edge distance, 1" end distance, & 1" o.c. spacing of wood screws to prevent the splitting of wood.



Documents Prepared By:  
Lyndon F. Schmidt  
P.E. No. 43409

**R.W.** BUILDING CONSULTANTS, INC.  
P.O. Box 230, Valrico, FL 33595  
Phone No.: 813.659.9197  
FBPE C.A. No. 9813

PRODUCT: Doers

PART OR ASSEMBLY: BUCK & FRAME ANCHORING

NO.	DATE	BY
1	6/25/15	LFS

DATE: 9/24/14

SCALE: N.T.S.

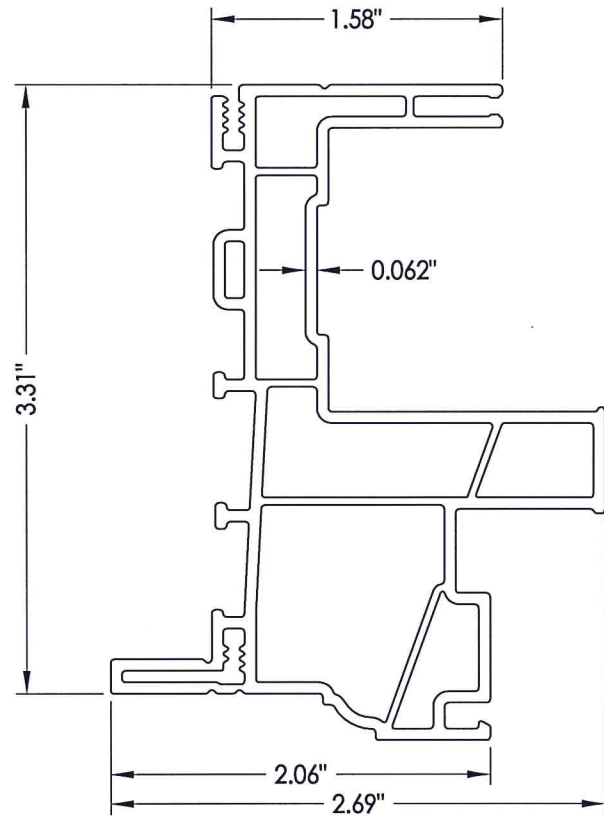
DWG. BY: JK

CHK. BY: LFS

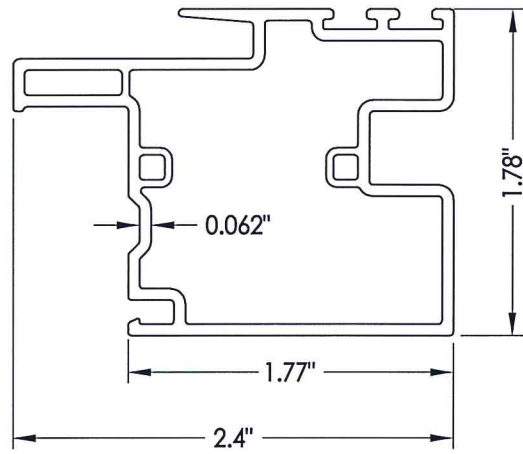
DRAWING NO.: FL-16853.10

SHEET 3 OF 5

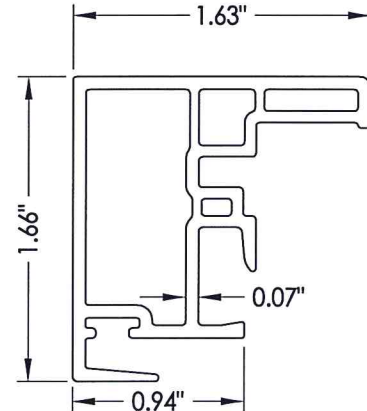
:\Clients\Doers PERMANENT\Florida Product Approvals\FL-16853 Windows - Horizontal Sliders\C - Drawings\FL-16853.7-12.dwg, 4.10



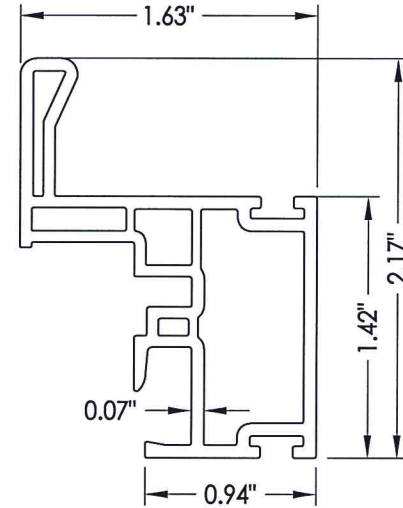
1 FRAME



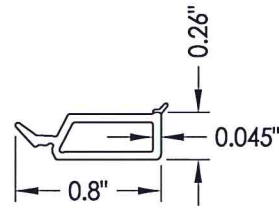
6 MEETING STILE



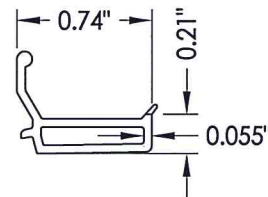
7 LOCK STILE



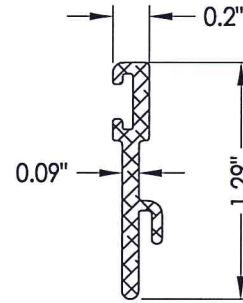
8 HANDLE STILE



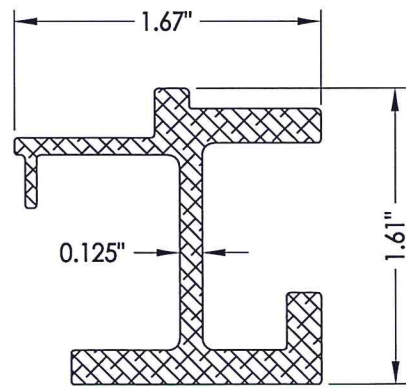
2 GLAZING BEAD



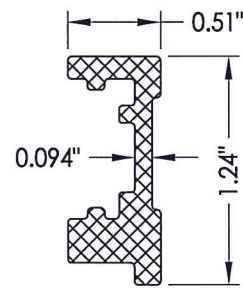
3 GLAZING BEAD



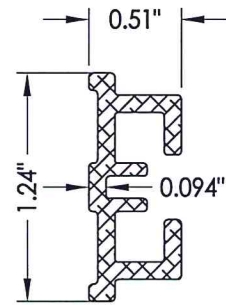
15 SILL RISER



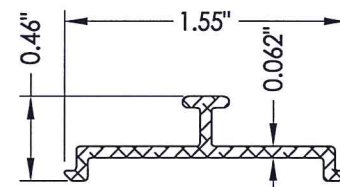
9 MEETING STILE REINFORCEMENT



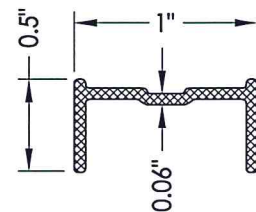
10 LOCK STILE REINFORCEMENT



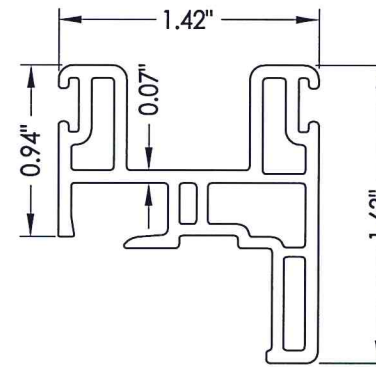
13 HANDLE STILE REINFORCEMENT



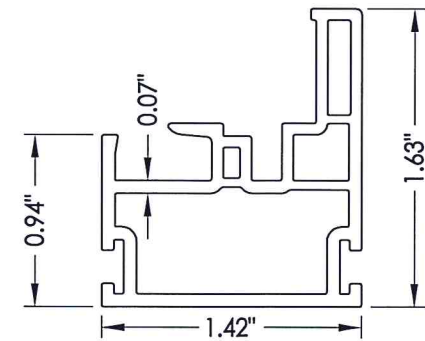
16 ROLLER TRACK



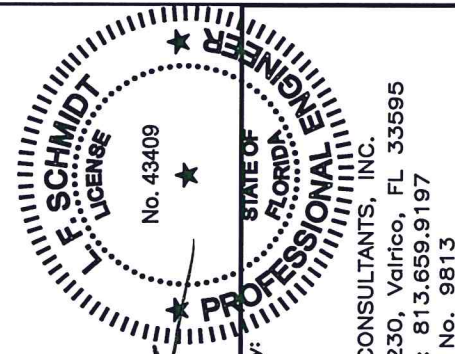
18 BOTTOM RAIL REINFORCEMENT



5 TOP RAIL



4 BOTTOM RAIL



7.1.15  
LFS

Documents Prepared By:  
Lyndon F. Schmidt  
P.E. No. 43409

R.W. BUILDING CONSULTANTS, INC.  
P.O. Box 230, Valrico, FL 33595  
Phone No.: 813.659.9197  
FBPE C.A. No. 9813

PRODUCT:	Doers	
PART OR ASSEMBLY:	COMPONENTS	
DATE:	9/24/14	
SCALE:	N.T.S.	
DWG. BY:	JK	
CHK. BY:	LFS	
DRAWING NO.:	FL-16853.10	
SHEET	4 OF 5	
NO.	DATE	BY
1	6/25/15	UPDATE TO 5TH ED. (2014) FBC LFS
		REVISIONS



